



GSM 2G & 4G

Door Contact Alarm

ECO RANGE



Product Information

Our 2G/3G GSM Door Contact Alarm is a standalone alarm system for smaller rooms inside properties. It will alert you using GSM technology by sending you a text message and/or phone call to your mobile phone or landline when the sensor has been broken alerting you to a possible intrusion.

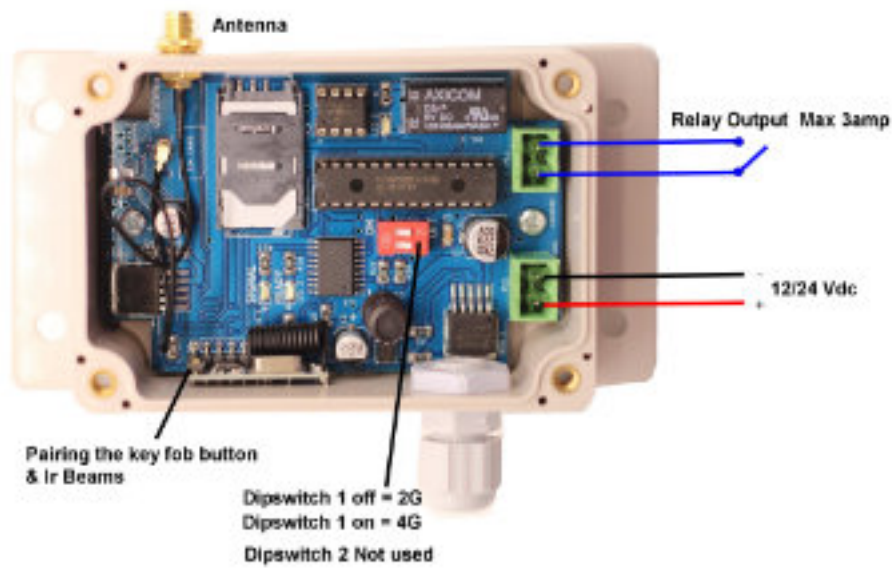
The unit is enclosed in a IP65 rated box which means it is perfectly weathered for outside installation and has passed testing in high temperature as well as below freezing temperatures.

- GSM Frequency: Quad band freq 850/900/1800/1900
- 4G Bands : B1 -B5, B7 - B8, B12 - B14, B18 - B20, B25 , B26, B28 , B66, B71
- Power Supply Voltage: 9 - 24 volts DC - 1 Amp Min
- Current used in standby mode: 60mA Max
- IP65 Rated Enclosure for outside installation
- 2 Amp Relay Output
- Full Size 2G or 4G Simcard
- No landline required
- Dimensions - L100 x W68 x H50mm
- Dimensions PCB Only - L95 x W67mm
- Sim Active Function
- Operating Temperature: -10...+40°C
- Programmed by Text/SMS Message
- Text to test signal strength
- Wireless Range to PIR - 25 feet

Door Contact Specification

- Alert Distance: 25-35mm separation
- Detection: Dual Function, Magnetic Door and Emergency Switch
- Battery Life: 6 Months
- Dimensions - L60 x W32 x H13mm

Instructions



IMPORTANT- PLEASE READ

Please make sure you disconnect the power when you fit the simcard. Then slide the simcard into the holder making sure that the clipped corner of the simcard lines up with the clipped corner of the simcard holder as seen in the image above.

Signal Strength

To help ensure that you place the unit in a suitable position you can text the unit to see how much signal strength the detector is receiving by texting the command,

#SIGNAL#

The detector will perform a test on the signal strength.

You will receive a text confirming the signal strength between 0 up to 30. We strongly recommend that you place the unit where it can receive a signal of at least 10. Anything less than this will make the unit unreliable.

SIM Active Function

Our GSM Auto Dialler comes with a SIM Active function meaning that it will send a message every six weeks to a preprogrammed number we at GSM Activate own to prevent the SIM card being shut down due to inactivity.

How to Programme Mobile Numbers

After inserting the simcard into the GSM module, turn the unit on and wait until you see the **GREEN LED** is on. This indicates that the module has a signal and the unit is ready for use.

Please Note - To avoid confusion we have colour coded the hash (#) and the equals (=) symbols. Furthermore, where it indicates a phone number this should be your number or the numbers you wish the unit to contact.

Example: (hash) (1,2 or 3) (equals) (phone number) (hash)

To programme mobile numbers into the unit you will need to send them as a text to the unit as follows:

#1=07123456789# Then send this as a text to the unit for contact no: 1

#2=07234567891# Then send this as a text to the unit for contact no: 2

#3=07345678912# Then send this as a text to the unit for contact no: 3

If you wish to cancel a number, follow this example.

(HASH) (1,2 or 3) (EQUALS) (DELETE) (HASH)

#1=DELETE#

This will delete contact no: 1

IMPORTANT - PLEASE READ

Please only send one message at a time and wait for the GSM detector to send back the text acknowledgement "NUMBER STORED" before you try to add the next number.

Below is a notepad to help you remember the numbers that you have saved to your unit in the event you need to modify or delete in the future.

#1= _____ #

#2= _____ #

#3= _____ #

How to programme the SMS text message

You can now change the alarm message from "input detected" to one of your own choice.

To change the message send the text command as follows

#MESS=YOUR MESSAGE#

The detector will reply with a text message - "MESSAGE STORED"

IMPORTANT - PLEASE READ

You can only use a maximum of 19 characters including spaces for your customised message.

Telephone Call Alerts

The Door Contact Alarm can be programmed to send you a telephone call after each text alarm has been sent.

You will receive approximately three ring tones. The unit will then hang up automatically. This is to prevent call charges being incurred.

To text call alerts to ON please send the text message

#CALL=ON#

The unit will reply back with the message - "CALL ON"

To disarm call alerts please send the text message.

#CALL=OFF#

If the call function has been set to ON you will receive a text message and shortly after a phone call.

How to use the 2G/3G Door Contact Alarm

Once you have positioned the door contact, installed the simcard and programmed the numbers the system is ready to use.

The GSM Door Contact Alarm has two modes, alarm mode and auto mode.

Alarm mode: you have to arm the alarm manually each time when required via a text message command or via the keyfob provided.

Auto mode: the alarm is always armed. You should choose which mode is more suitable to your application.

These modes are selected by sending the following text messages

#Mode=1# Auto Mode

#Mode=2# Alarm Mode (default)

The default setting is alarm mode, to get an alarm notification when the beam is triggered, you will need to arm the alarm first via text message or key fob

Arm Via Text Message

To set the alarm to ON you will need to send the text message

#ALARM=ON# This will activate the alarm

#ALARM=OFF# This will deactivate the alarm

It is important to remember that once the alarm has been triggered you will need to reset the alarm by sending the text command #ALARM=ON# to reactivate the alarm or activate it using the key fob.

Arm Via Key Fob

The key fob works best when used with the siren provided as you will get the audible alert whenever you arm or disarm the alarm.

Press button A on the key fob Arms the alarm and siren will beep twice

Press button B on the key fob Disarms the alarm and the siren will beep twice

IMPORTANT - PLEASE READ

Again it is important to remember that when the alarm has been triggered you will need to reset the alarm using either the text command (above) or by using the key fob.

In auto mode, the key fob and text message are disabled, the alarm is always "Active".
After the alarm is triggered it will automatically reset to active after 20 seconds

In the event of a power loss the unit will remember if it was armed when power is restored.

How to use the Relay Output

The relay has been programmed to trigger the siren for 60 seconds in the event of an alarm activation. Once the text message and call has been received you can stop the siren sounding by pressing B on the key fob.

If you do not require the siren to sound in the event of an alarm activation but require it so that you hear the key fob activation you can turn the siren OFF by Dipswitch 1.

Dipswitch 1 ON Siren is turned ON

Dipswitch 1 OFF Siren turned OFF

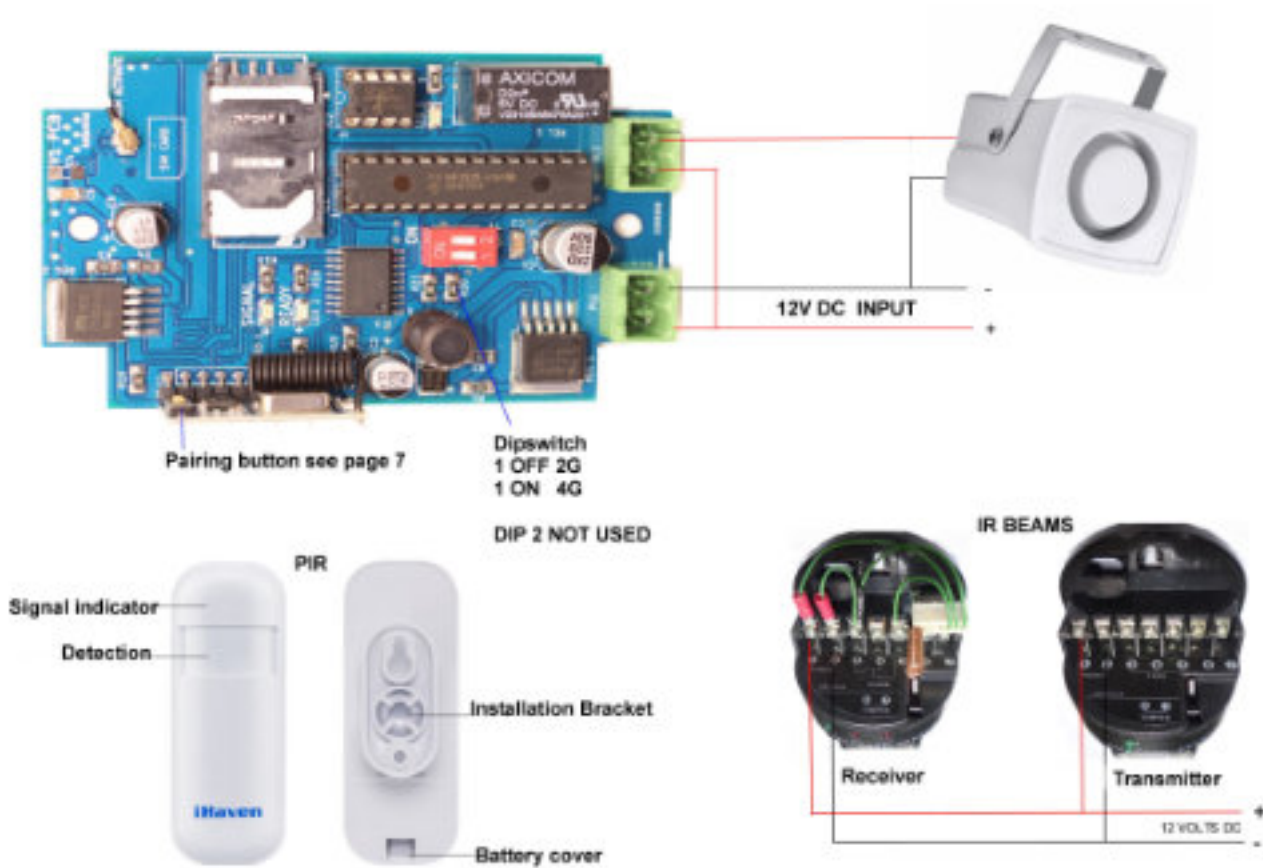
If you require the ability for the relay to be independently activated like older versions of this alarm, please contact us on the details below.

Pairing the Wireless Door Sensors

To connect wireless door sensors you will need to match the devices to the receiver on the dialler.

1. Hold down the pairing button on the RF Module for 3 seconds (refer to figure 1)
2. Trigger the door switch
3. The RF module has a **RED** LED which will flash when pairing is complete.

Figure 1



Quick Reference

SEND TEXT	OPERATION	ACKNOWLEDGMENT
#MESS=MAX19CHARACTERS#	STORES A CUSTOM MESSAGE FOR INPUT	MESSAGE STORED
#SIGNAL#	GIVES SIGNAL STRENGTH TEST	SCORE OF 1-30
#1=NUMBER#	SAVES CONTACT NUMBER 1	NUMBER STORED
#2=NUMBER#	SAVES CONTACT NUMBER 2	NUMBER STORED
#3=NUMBER#	SAVES CONTACT NUMBER 3	NUMBER STORED
#1=DELETE#	DELETES CONTACT NUMBER 1	NUMBER DELETED
#2=DELETE#	DELETES CONTACT NUMBER 2	NUMBER DELETED
#3=DELETE#	DELETES CONTACT NUMBER 3	NUMBER DELETED
#ALARM=ON#	SETS ALARM TO ON	ALARM ON
#ALARM=OFF#	SETS ALARM TO OFF	ALARM OFF (Default)
#MODE=1#	MANUALLY ACTIVATE THE ALARM (TEXT/KEYFOB)	
#MODE=2#	ALARM ALWAYS ACTIVATED (Default)	

Factory Reset

To set the unit back to factory settings you will need to send a text message

#RESET#

Please Note - doing this will reset ALL of your parameters. Only send a reset command when necessary.

The **GREEN** ready LED will flash eight times.

Dipswitch Settings

Dipswitch 1 = ON = Siren ON
 OFF = Siren OFF

 OFF = 2G

For more technical support please browse the FAQ's on our website www.gsm-activate.co.uk

Alternatively email our technical support team at technical@gsm-activate.co.uk and we will do our best to respond to your query within 24 hours Monday- Friday.