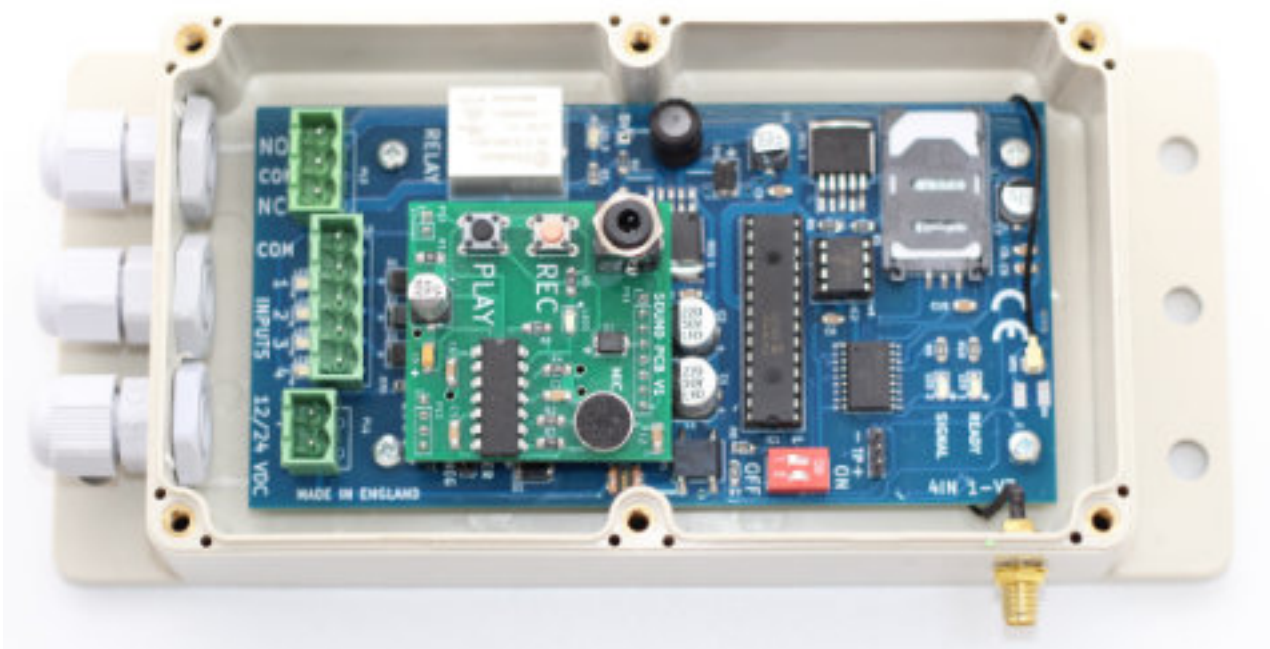




2G / 4G GSM Auto Dialler & Speech Module



Product Information

Our AD4IN1V4 SPEECH Auto Dialler is a versatile unit which can be attached to many of your electronic devices in your homes, workplace, gardens or wherever you may need it. It will alert you using GSM technology by sending a text message or phone call to your mobile phone or landline. Therefore, alerting you immediately to a problem, failure or status change wherever you are in the world!

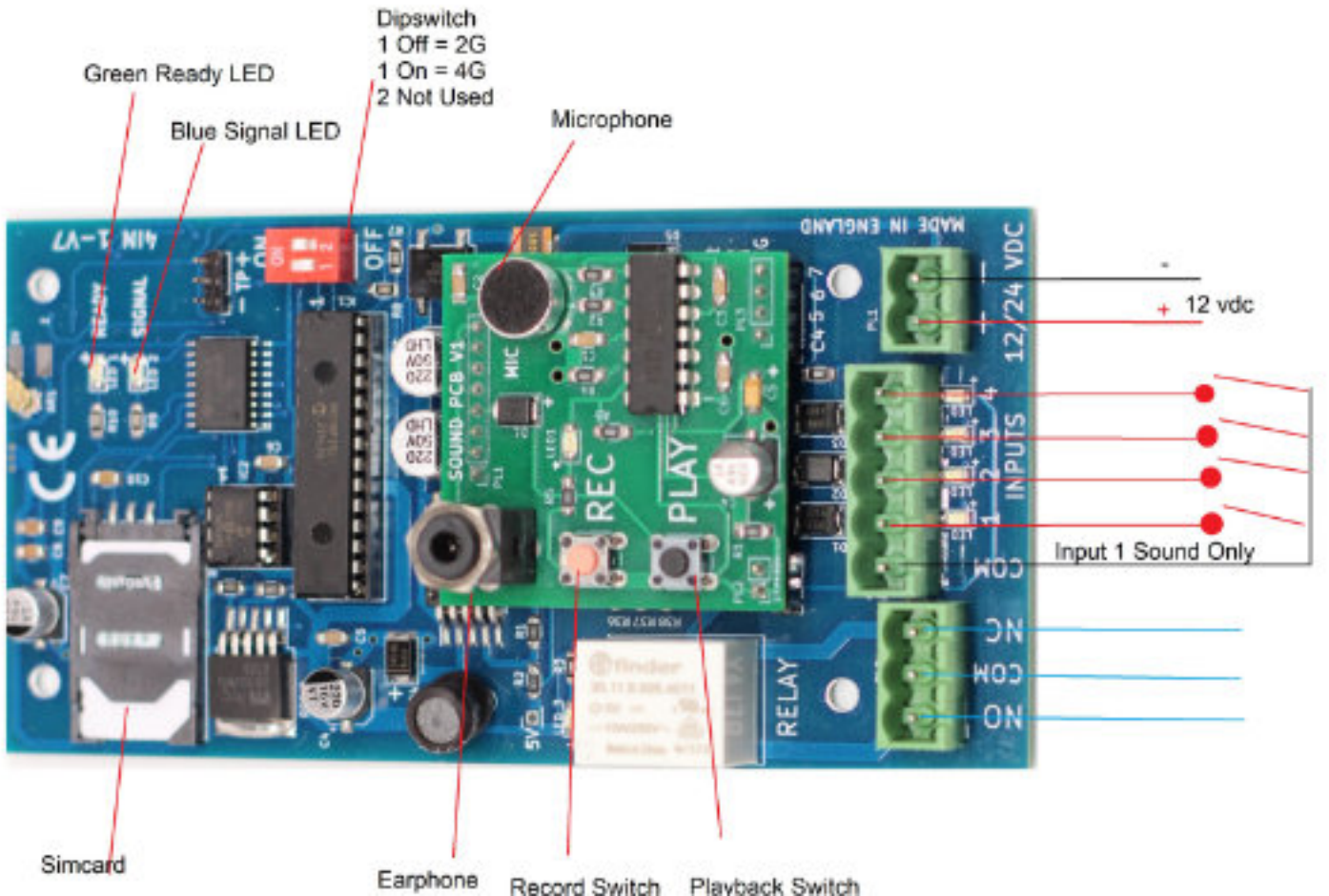
Our Auto Dialler is set apart from other models on the market by being on the quadband frequency meaning it can be used worldwide and we often ship models all over Europe, USA and Australia with excellent feedback.

The unit is enclosed in an IP65 rated enclosure meaning that it is perfectly weathered for outside installation and has passed testing in high heats and below freezing temperatures.

Specification

- GSM Frequency: Quadband Frequency 850/900/1800/1900
- LTE Band : B1/B3/B5/B7/B8/B20
- Power Supply Voltage: 9-24 vold DC - 2 Amp Minimum
- Current Used in Standby Mode: 60mA Max
- IP65 Rated Enclosure for Outside Installation
- 4 Inputs Negative Triggered
- 1 Speech Input with Recorded message (15 secs)
- 5 User Numbers
- 8 Amp Relay Output
- Micro Simcard
- No Landline Required
- Dimensions: L150 x W90 x H45mm
- Dimensions PCB Only: L125 x W67mm
- Sim Active Function
- Operating Temperature: -10...+40°C
- Programmed by Text Message
- Text to Test Signal Strength
- 2G or 4G Model Available

Instructions



SIM Active Function

Our GSM Auto Dialler comes with a SIM Active function meaning that it will send a message every six weeks to a preprogrammed number we at GSM Activate own to prevent the SIM card being shut down due to inactivity.

IMPORTANT - PLEASE READ

Please make sure you disconnect the power when you fit the simcard. Unlock the simcard Holder by using square gap and pushing downwards and then slide in the simcard, making sure that the clipped corner of the simcard is downwards to the board, and then lock back into place .

Signal Strength

To help make sure that you place the unit in a suitable position you can text the unit to see how much signal strength the dialler is receiving by texting the command

#SIGNAL#

You will then receive a text message telling you the signal strength score between 0 up to 30. We strongly recommend that you place the unit where you can receive a signal strength score of at least 10. You will find anything below this will make the unit unreliable. It is worth trying the signal strength test on both 2G and 4G (see overleaf for dipswitch instructions)

Dipswitch

The dialler can work on 2G & 4G networks. The module works worldwide with all simcards (see page 3 for applicable bands). You can choose which frequency the unit will use at the start by using the dipswitch combinations below

Dipswitch 1 Set to OFF = Unit boots up in 2G

Dipswitch 1 Set to ON = Unit boots up in 4G

Dipswitch 2 not used

Programming the Contact Numbers

After inserting your simcard into the Auto Dialler turn the unit on and wait until you see the **GREEN** LED is on. This will indicate that you have a mobile signal and the unit is ready for Use.

You will now need to send a text with the contact numbers (maximum 5 contact numbers).

To avoid confusion we have colour coded the (#) **hash** and (=) **equals** symbols.

Example (**hash**) (1,2,3,4 or 5) (**equals**) (phone number) (**hash**)

#1=07123456789# send this as a text to the simcard number in the unit for contact no:1

#2=07234567891# send this as a text to the simcard number in the unit for contact no:2

#3=07234567867# send this as a text to the simcard number in the unit for contact no:3

#4=07234567822# send this as a text to the simcard number in the unit for contact no:4

#5=07345678912# send this as a text to the simcard number in the unit for contact no:5

Please exchange the mobile numbers for your contact numbers

If you wish to cancel a number follow this example

Example: (**hash**) (1,2,3,4 or 5) (**equals**) (DELETE) (**hash**)

#1=DELETE# This deletes contact number 1

IMPORTANT - PLEASE READ

Please send one message at a time and wait for the Auto Dialler to respond with the text message acknowledgment "NUMBER STORED" before you try to add another number.

Below is a notepad to help you to remember which numbers you have saved to which location in the event you need to modify or delete them in the future.

#1=_____#

#2=_____#

#3=_____#

#4=_____#

#5=_____#

How to Program the SMS Text Message

You can now change the alarm message for inputs 2, 3 & 4 to your own choosing allowing you to know which input has been triggered.

To change the message send the text command as follows.

#MESS1=YOUR MESSAGE# The default message is - "Alarm not Acknowledged"

#MESS2=YOUR MESSAGE# The default message is - Input 2 activated

#MESS3=YOUR MESSAGE# The default message is - Input 3 activated

#MESS4=YOUR MESSAGE# The default message is - Input 4 activated

This will change the message to "Your Message"

IMPORTANT - PLEASE READ

You can only use a maximum of 19 character including spaces for your customised message.

Telephone Call Alerts

The Auto Dialler can be programmed to send you a telephone call after each text alarm has been sent.

You will receive approximately three ring tones. The unit will then hang up automatically. This is to prevent call charges being incurred.

To set the call alert to ON please send the text message

#CALL=ON#

The unit will relay back with "CALL ON"

If the call function has been set to ON you will receive a text message and shortly after, a phone call.

To disarm the call alerts please send the text message

#CALL=OFF#

IMPORTANT - PLEASE READ

INPUT 1 is used with the speech module and operates differently to the other inputs. Please see page 8 for more information

How to Use The GSM Auto Dialler

The Auto Dialler has four independent input's

Input 1 = Terminal 1 connection. (Negatively triggered) pulled to ground

Input 2 = Terminal 2 connection. (Negatively triggered) pulled to ground

Input 3 = Terminal 3 connection. (Negatively triggered) pulled to ground

Input 4 = Terminal 4 connection. (Negatively triggered) pulled to ground

When the inputs are triggered the **GREEN** LED will flash 6 times to indicate that a trigger has been received. It will then send a text message/phone call to the five saved user numbers.

- All inputs can be triggered independently.
- The Auto dialler will reset automatically when the triggered input is released.

We have an 8 input plug in board available on request. Please email the team at sales@gsm-activate.co.uk

Alarm Mode- Input 4 only

INPUT 4 can also be used as the alarm input where the input is not always live and it does not auto reset like inputs 1 - 3. The alarm is only made live by sending an SMS/text message command. This is useful for attaching things like PIR or IR Beam Sensors, when you may only want them armed at night.

To activate this mode, send the sms/text command

#MODE=2# This sets the unit to alarm mode

Once in alarm mode the Auto Dialler can only be triggered after you have activated the alarm input by sending the text command as follows.

#ALARM=ON# You will receive a text message reading "ALARM ON"

With the alarm ON, INPUT 4 will then be live and looking for a trigger. To turn off (deactivate), the alarm, please send the text command:

#ALARM=OFF# This will deactivate the alarm.

The input will not reset automatically after a trigger. You will need to send the text command **#ALARM=ON#** when you want it armed again.

To change back to auto mode, send the sms/text command

#MODE=1# This sets the unit to auto mode - **this is the default setting**

How to Use the Relay Output

Auto Relay Trigger Input On (see below)

The Auto Dialler has an 8 amp volt free contact relay output which can be used to switch on external electric devices such as lighting, sirens etc.

By texting the unit you can turn the relay ON or OFF. Below are examples on how to do this.

#REL=ON# This will turn ON relay output

#REL=OFF# This will turn OFF relay output

After each operation the unit will reply with a status report "RELAY ON/OFF"

It is possible to pulse the output relay for a period of 20 seconds. You will need to send a text as follows.

#PULSE=REL# This will Pulse the relay for 20 seconds.

Auto Relay Trigger Input On

The Relay can be set to automatically pulse for 17 seconds when an input has been triggered. Please be aware of any conflicts this may cause if you are already using relay 2 as an independently activated relay. To turn this function on, please send the text command:

#AUTO=ON# This will turn the auto function on for relay on

#AUTO=OFF# This will turn the auto function OFF for the relay (default setting is off)

Resetting the Unit

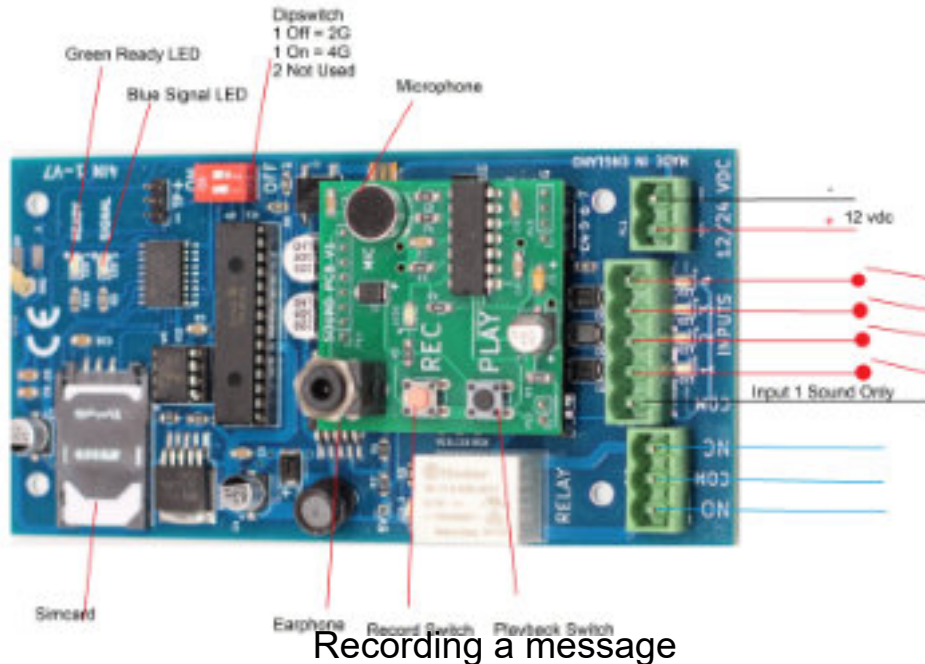
To reset the unit back to factory settings you will need to send the text message

#RESET#

WARNING - This will reset all of your parameters. ONLY send this command when necessary.

Speech Module Board

The GSM Auto Dialler now has a Speech plug in board, so you can record a message which will be sent by phone call to the five users in sequence that has to be acknowledged by the recipient. Therefore, alerting the Auto Dialler that you have received the message.



Recording a message

To record a message, hold down the pink record button and speak as clearly as possible into the microphone. You can record up to a 15 second message. You can then use the playback button and using the supplied headphones, listen to the message to check sound quality.



How to use the Speech Module (Input 1 Only)

Once the message is recorded it will be configured solely to input 1. When input 1 is triggered, it will send a phone call to the users in number sequence. Eg: User 1 first then user 2 and so on to user 5 unless the call is acknowledged. If no contact number answer the call it will text all users - "ALARM NOT ACKNOWLEDGED"

If the call is acknowledged the call sequence will end and no text message will be sent.

You can change this message by using the text code

`#MESS1=YOUR MESSAGE#`

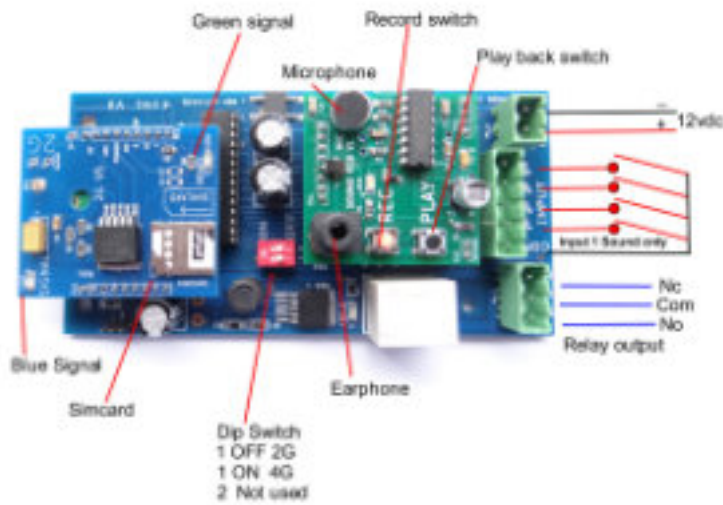
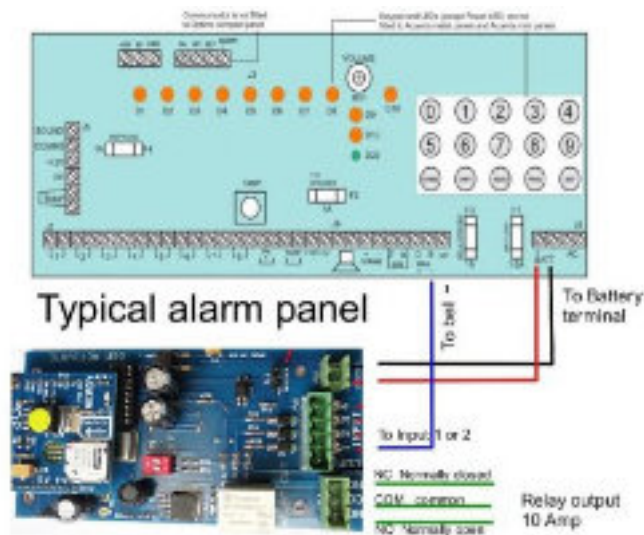
Acknowledging the Call

When the call is answered, you have 30 seconds to listen to the message before the call will automatically hang up, and call the next number.

To prevent the next number being called, you will need to acknowledge this call by pressing the hash (#) key on your phone keypad, this will end the call sequence.

In the event of no answer from any of the users the Auto Dialler will send a text message reading "ALARM NOT ACKNOWLEDGED"

You can change the length of ring time from 30 seconds to 60 seconds by sending the command `#TIMER=60#` and Change back by command `#TIMER=30#`



Inputs

As you can see in the circuit diagram above the inputs can be activated by pulling input 1, 2,3 & 4 to ground. Alternatively, input 4 can be triggered by pulling to ground or if the link is applied using a positive trigger.

Relay Output - Volt Free Contact

The relay has common, normally open and normally closed contacts which are capable of 8 Amp loads. This is suitable for turning on or off electrical equipment. Alternatively, it can be used for resetting your alarm system.

The relay can be manually activated by text message commands or it can be set to pulse for 20 seconds when an input has been activated - Please refer to page 6

IMPORTANT - PLEASE READ

For alarm panel installations please make sure you supply a 9-24 volts DC from the battery terminals using a 2 amp fuse.

Quick Reference

SEND TEXT	OPERATION	ACKNOWLEDGMENT
#MESS1=MAX19CHARACTER#	Stores a custom message for input 1	Message 1 Stored
#MESS2=MAX19CHARACTER#	Stores a custom message for input 2	Message 2 Stored
#MESS3=MAX19CHARACTER#	Stores a custom message for input 3	Message 3 Stored
#MESS4=MAX19CHARACTER#	Stores a custom message for input 4	Message 4 Stored
#SIGNAL#	Gives a Signal Strength Test	Score of 1-30
#1=NUMBER#	Saves Contact Number 1	Number Stored
#2=NUMBER#	Saves Contact Number 2	Number Stored
#3=NUMBER#	Saves Contact Number 3	Number Stored
#4=NUMBER#	Saves Contact Number 4	Number Stored
#5=NUMBER#	Saves Contact Number 5	Number Stored
#1=DELETE#	Deletes Contact Number 1	Number Deleted
#2=DELETE#	Deletes Contact Number 2	Number Deleted
#3=DELETE#	Deletes Contact Number 3	Number Deleted
#4=DELETE#	Deletes Contact Number 4	Number Deleted
#5=DELETE#	Deletes Contact Number 5	Number Deleted
#MODE1#	Sets mode as Auto Mode	Mode 1 On (default)
#MODE2#	Sets mode as Alarm Mode	Mode 2 On (default)
#ALARM=ON#	Sets Alarm to On	Alarm On
#ALARM=OFF#	Sets Alarm to Off	Alarm Off (default)
#REL=ON#	Turns On Relay Output	Relay On
#REL=OFF#	Turns Off Relay Output	Relay Off
#AUTO=ON#	Turns Auto Relay Trigger On	Auto On
#AUTO=OFF#	Turns Auto Relay Trigger Off	Auto Off
#PULSE=REL#	Pulses Relay Output for 20 Seconds	Relay Pulse
#TIMER=30#	Sets call ringtime for 30 seconds	Ringtime Set (default)
#TIMER=60#	Sets call ringtime for 60 seconds	Ringtime Set
#CALL=ON#	Switches Text & Call Alerts on	Call on
#CALL=OFF#	Text Alerts Only	Call off (default)

Different Plug In Boards

Different plug in boards are available to purchase from our website or by calling or emailing the sales team on the below contact details. These add the following functionality to the Auto Dialler

8 Input Auto Dialler - high and low triggering

Speech Auto Dialler with recorded message

Wireless Auto Dialler with 120ft range wireless sensors

For more information or technical support, please browse the FAQ's on our website
www.gsm-activate.co.uk

Alternatively you can email our technical support team at technical@gsm-activate.co.uk
 and we will do our best to reply within 24 hours Monday to Friday.