



# GSM 2G/3G HIGH POWERED SWITCH (30 Amp)



## Product Information

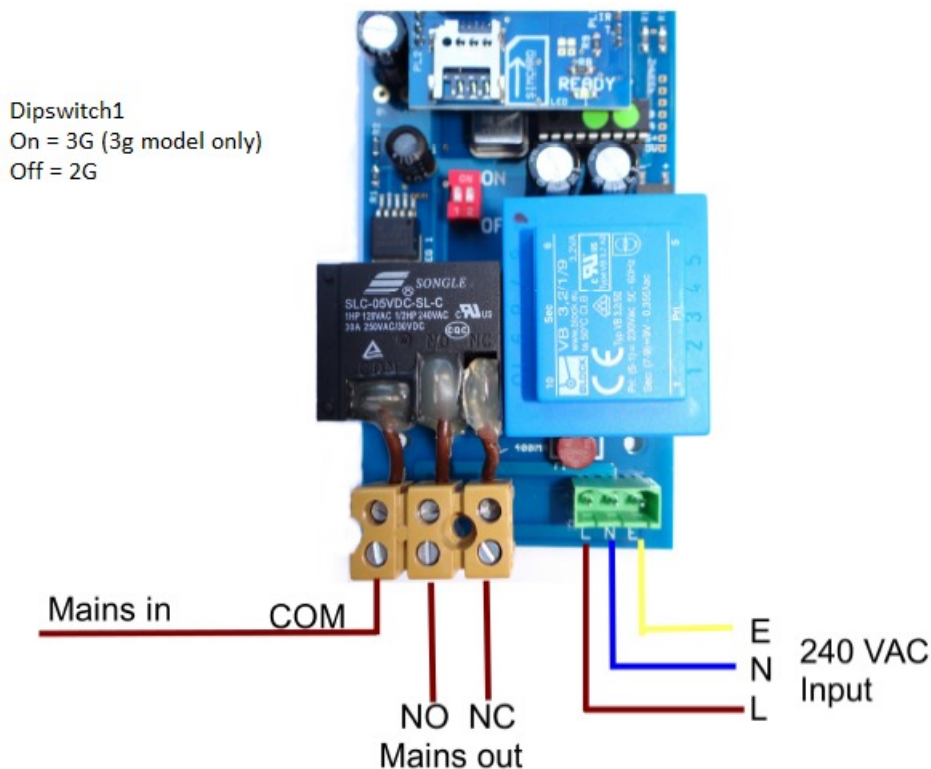
Our 2G and 3G GSM High Powered Switch is designed to attach to your electronic devices such as white goods or machinery to enable you to activate or deactivate them using your mobile phone from anywhere in the world!

This can prove to be very useful in a variety of situations. Just simply text the unit which comes with a free simcard and it will turn the device on or off . Once you have sent a command the device will send an acknowledgement back by text so you know it has taken your command.

Our GSM High Powered Switch is set apart from other models on the market as it is suitable for high loading appliances as well as using quadband frequency. This means it can be used worldwide and we frequently ship models all over Europe, USA and Australia with excellent feedback. The unit is also enclosed in a IP65 rated box which means it is perfectly weathered for outside installation and has passed testing in high temperatures and below freezing conditions.

## Specification

- The GSM High Powered Switch has been designed to operate equipment by using your mobile phone as the controller.
- It is very easy to install and operates with no complicated coding required, just plug in and go!
- GSM Frequency: Quadband Frequency 850/900/1800/1900/2100 Mhz
- Standard 2G /3Gsimcard
- Simply text the simcard number to operate the relay
- You will receive a text acknowledgement indicating the relay is on or off.
- INPUT - 240v
- 1x Output relay - 30 AMP N/O or N/C volt free
- High load 30 amp switch suitable for large appliances or machinery.
- Sim Active Function
- Dimensions - L150 x W90 x H45mm
- Dimensions PCB Only - L125 x W67mm
- Operating Temperature: -10...+40°C
- Relay State Report for relay
- Text for signal strength



### IMPORTANT- PLEASE READ

Please ensure that you disconnect the power when you fit the simcard Then slide the simcard into the holder ensuring the clipped corner of the simcard lines up with the clipped corner of the simcard holder as seen in the image above.

To make it a little easier we have colour coded the # (hash), \* (star), ? (Question mark) and = (equals) symbols.

### Powering GSM High Powered Switch

Connect 240 volts to the input connector as per figure 1. Once power has been applied the blue network LED light will flash once every second. Once a signal has been found the green LED will come on and stay on indicating the unit is now ready for use.

**IMPORTANT - PLEASE READ** - The relay is energised when the power is ON - Do NOT touch if the device is powered on

### Signal Strength

To check the strength of the signal received please send a text message

#SIGNAL#

The unit will reply back with a score from 1 - 30. The unit must have a score of at least 10 to work

## How to Use the High Powered Switch

### Text Mode: Relay 1

By texting the unit you can turn relay 1 on or off individually , you do this by sending the text commands as follows

#ON#                      Turns the relay ON  
#OFF#                     Turns the relay OFF

What this does is energise the relay, supplying 240 volts out through the live wire.

You can also pulse the relay by sending the command

#PULSE=1#

This will energise the relay for 20 seconds

When the relay has been activated it will reply back with a Relay Status Report

If you do not want the text reply to save on credit for example you can turn on and off the relay reply by using the commands

#STATE=ON#      Turns the relay reply ON  
#STATE=OFF#     Turns the relay reply OFF

It is possible to obtain a relay status report at any time. This will give you the position of the relay.

#STATUS?                To get relay status report

\*Note these commands have been designed to work with a software set, for rental companies which can use the switch in a system which also manages their payments if you require different commands please contact out sales team on 01273 462380

### **IMPORTANT - PLEASE READ**

The unit has a "sim active" function which monitors the activity on the simcard. If it has been inactive for 6 weeks, it will send an automatic text to a pre-recorded number. This will then eliminate the problem of your sim getting shut down if they are unused for 3 months.

New SIM cards will need registering before they can be used. Full details of how this is done can normally be found in the SIM card pack. It will normally require that the SIM card is inserted into a mobile phone, a number dialled and instructions followed. While the SIM is in the mobile phone it would be a good time to disable any PIN codes, call diverts, ring back and disable features such as voicemail and text alerts.

## SIM Active Function

Our GSM Auto Dialler comes with a SIM Active function meaning that it will send a message every six weeks to a preprogrammed number we at GSM Activate own to prevent the SIM card being shut down due to inactivity.

## Relay Memory

In the event of a power loss the switch can remember the relay positions for when the power has been restored, please send the text as follows

**#RELMEM=ON#** The unit will remember relay status in event of power failure  
**#RELMEM=OFF#** The unit will not remember relay status and power on with both relays set to off

The default setting is Relay Memory OFF

## Status Report

It is possible to obtain a relay status report at any time. This will give you the position of the relays.

**#REL=STATE#** To get relay status report

### Please Note

The unit has a "sim active" function which monitors the activity on the simcard. If it has been inactive for 6 weeks, it will send an automatic text to a pre-recorded number. This will then eliminate the problem of your sim getting shut down if they are unused for 3 months.

New SIM cards will need registering before they can be used. Full details of how this is done can normally be found in the SIM card pack. It will normally require that the SIM card is inserted into a mobile phone, a number dialled and instructions followed. While the SIM is in the mobile phone it would be a good time to disable any PIN codes, call diverts, ring back and disable features such as voicemail and text alerts. Details of how to do this can be found on the SIM card provider's web site or by calling their customer services. Please use one of the following SIM card providers - Vodafone, TMobile, O2 or Orange.

**IMPORTANT - PLEASE READ** Currently not suitable with the network provider "three"

SEND TEXT	OPERATION	ACKNOWLEDGMENT
#ON#	Turns Relay ON	Status Report
#OFF#	Turns Relay OFF	Status Report
#PULSE=1#	Pulse Relay	Relay Pulse
#REL=STATE#	Gives Relay State Report	Status Report
#RELMEM=ON#	Turns Relay Memory ON	Memory ON
#RELMEM=OFF#	Turns Relay Memory OFF	Memory OFF
#STATE=ON#	Turns Relay State Report ON	Relay State (default on)
#STATE=OFF#	Turns Relay State Report OFF	Relay State
#RESET#	Clears All Numbers from White List	
#SIGNAL#	Gives Signal Strength Test	Score of 1-30

For more technical support please browse the FAQ's on our website [www.gsm-activate.co.uk](http://www.gsm-activate.co.uk)  
Alternatively email our technical support team at [technical@gsm-activate.co.uk](mailto:technical@gsm-activate.co.uk) and we will do our best to reply within 24 hours Monday - Friday.