



# GSM 2G/3G/4G MULTI SWITCH 240V



## Product Information

Our 2G/3G/4G GSM Multi Switch is designed to attach to your electronic devices enabling you to activate them using your mobile phone from anywhere in the world.

This can prove to be very useful in a variety of situations. Just simply dial the unit which comes with a free simcard and it will turn the device on or off. Alternatively, you can text it how long you would like the device on for ranging from 1 - 999 seconds or minutes. Once you have sent a command the device will send an acknowledgement back by text message so you know it has taken the command.

Our 2G/3G/4G Multi Switch is set apart from other models on the market by being on the quad band frequency, meaning it can be used worldwide and we frequently ship models all over Europe, USA and Australia with excellent feedback. The unit is also enclosed in an IP65 rated enclosure meaning it is perfectly weathered for outside installation and has passed testing in high temperatures and below freezing conditions.

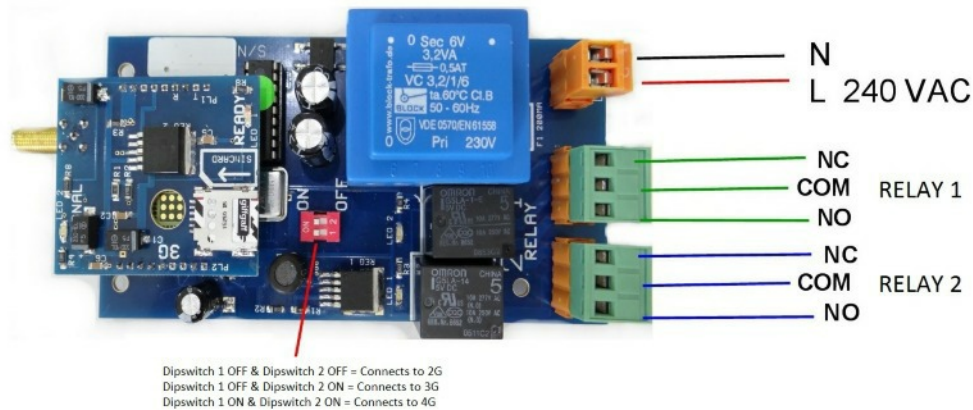
## Specification

- The GSM Switch has been Designed to Operate Electronic Equipment by Using Your Mobile Phone or Land Line as the Controller.
- It is Very Easy to Install and Operates with no Complicated Coding Required. Just plug in and go!
- GSM Frequency: Quad Band Freq 850/900/1800/1900 / (3G) 2100 / (4G) 2600 Mhz
- 4G Bands : B1 -B5, B7 - B8, B12 - B14, B18 - B20, B25 , B26, B28 , B66, B71
- Micro 2G 3G 4G simcard
- Simply Dial the Simcard Number to Operate the Relay
- If you Call the Unit it Will Reject Call to Avoid Call Charges.
- You Will Receive a Text Acknowledgement Indicating Relay ON or OFF
- INPUT - 240vac (12/24vdc & 115VAC available)
- 2 x Output Relay - 10 AMP N/O or N/C Volt Free
- Phone List for Added Security of up to 200 Stored Numbers
- You Can Set the Timer for 1 - 999 Minutes
- Pulse Function for Both Relays
- Sim Active Function
- Dimensions - L150 x W90 x H45mm
- Dimensions PCB Only - L125 x W67mm
- Operating Temperature: -10...+40°C
- Relay State Report for Both Relays
- Text for Signal Strength

## SIM Active Function

Our GSM Auto Dialler comes with a SIM Active function meaning that it will send a message every six weeks to a preprogrammed number we at GSM Activate own to prevent the SIM card being shut down due to inactivity.

# INSTRUCTIONS



## IMPORTANT- PLEASE READ

Please make sure you disconnect the power when you fit the simcard. Then slide the simcard into the holder making sure that the clipped corner of the simcard lines up with the clipped corner of the simcard holder as seen in the image above.

## Powering GSM Multi Switch

Connect 240 volts to the input connector as per figure 1. Once power has been applied the **blue** network LED light will flash once every second. Once a signal has been found the **green** LED will come on and stay on indicating the unit is now ready for use.

## Signal Strength

To check the strength of the signal received please send a text message:

**#SIGNAL#**

The unit will reply back with a score from 1 - 30. The unit must have a score of at least 10 to work effectively. Anything less than 10 will make the unit unreliable.

## 2G or 3G or 4G

The GSM Gate Opener can work on both 2G, 3G or 4G network depending on which model you have. You can choose which network the unit will use at the start up using the following

Dipswitch settings

Dipswitch 1 OFF & Dipswitch 2 OFF = Connects to 2G

Dipswitch 1 OFF & Dipswitch 2 ON = Connects to 3G

Dipswitch 1 ON & Dipswitch 2 ON = Connects to 4G

## How to Program the Multi Function Switch

Once the unit has a **green** light it is ready to be used. The unit has a caller ID function so only authorised numbers you store can activate the unit. If caller ID is left OFF anyone phoning the units number can operate the relays.

To turn caller ID on send a text message      #ID=ON#

To turn caller ID off send a text message      #ID=OFF#

### **PLEASE NOTE**

If you do not require authorised users please skip to the next page

## How to Use the Multi Function Switch

To program a number to the caller ID (WHL) list you will need to send a text message code:

#WHL=NUMBER#

To delete the number send a text message code:

#DEL=NUMBER#

Example      #WHL=07123456789#      Stores your mobile number (Maximum 60 users)

Example      #DEL=07123456789#      Deletes the mobile number.

If the code is accepted the unit will reply "WHL number stored" or "WHL number deleted"

### **IMPORTANT - PLEASE READ**

You can only send one number at a time. Please send the message and wait for the 2G/3G/4G Multi Switch to send you back a text acknowledgement "STORED" before you try to add any further contact numbers.

Furthermore, please ensure that you have credit on your simcard to receive the text acknowledgment. It may take some time to receive text acknowledgements depending upon how busy your telephone network is at the time.

## Reset Function

For a quick reset and to clear all numbers there is a built in reset function that is triggered via sending an sms/text message.

#RESET#      The unit will then remove all WHL numbers stored.

Please only do this if you really have to as it will clear all your programmed contact numbers.

## How to use the Multi Function Switch

### Call Mode: Relay 1 only

Using your mobile phone dial the simcard number. You will hear 1 ring tone. The unit will automatically hang up. This will prevent any call charges. Only relay 1 can be used for calling.

The relay will then turn ON and remain on. You will receive a relay state report

REL1 ON REL2 OFF

To turn the relay OFF just ring the simcard number again. You will receive a relay state report

REL1 OFF REL2 OFF

### **IMPORTANT - PLEASE READ**

Calling in using the 4G mode can currently be inconsistent due to several factors such as, signal strength and voice over LTE (4G calling) being available on simcards or phones etc. If you experience unreliability on 4G please boot up the unit using 2G or 3G depending on which has a better signal strength.

The unit will reply and let you know the state of both relays, you can turn the reply off by using the command

**#TEXT=OFF#** Turns OFF the relay state report

**#TEXT=ON#** Turns ON the relay state report

The default setting configuration is set to relay state report on

### Text Mode: Relay 1 & 2

By texting the unit you can turn relay 1 & 2 on or off individually. Below are examples on how to do this.

**#REL1=ON#** This will turn on relay 1

**#REL1=OFF#** This will turn off relay 1

**#REL2=ON#** This will turn on relay 2

**#REL2=OFF#** This will turn off relay 2

It is possible to pulse relay 1 & 2 for a period of 10 seconds you will need to send a text as follows.

**#PULSE=REL1#** This will turn on relay 1 for 10 seconds only.

**#PULSE=REL2#** This will turn on relay 2 for 10 seconds only.

## Timer Mode: Relay 2 only

It is possible to turn relay 2 ON for a period of time, 1 minute to a maximum 999 minutes. Send the following command followed by the number of minutes you require #MIN=

Example #MIN=001# This will turn on the relay for 1 minute.  
Example #MIN=060# This will turn on the relay for 60 minutes.  
Example #MIN=120# This will turn on the relay for 120 minutes.

The maximum number of minutes is 999.

You will receive a text acknowledgment "TIMER SET"

The timer will stay on for the preset time and then turn itself off. If you wish to cancel the timer before the preset time has expired you can do this by texting #MIN=000# this will cancel the time.

## Relay Memory

In the event of power loss the switch can remember the relay positions for when the power has been restored, please send the text as follows:

#MEMORY=ON# The unit will remember relay status in event of power failure  
#MEMORY=OFF# The unit will not remember relay status and power on with both relays set to off

The default setting is Relay Memory OFF

## Status Report

It is possible to obtain a relay status report at any time. This will give you the position of the relays.

#STATUS# To get relay status report (this will only work if you have Text replies on)

### IMPORTANT - PLEASE READ

The unit has a "sim active" function which monitors the activity on the simcard. If it has been inactive for 6 weeks, it will send an automatic text to a pre-recorded number. This will then eliminate the problem of your sim getting shut down if they are unused for 3 months.

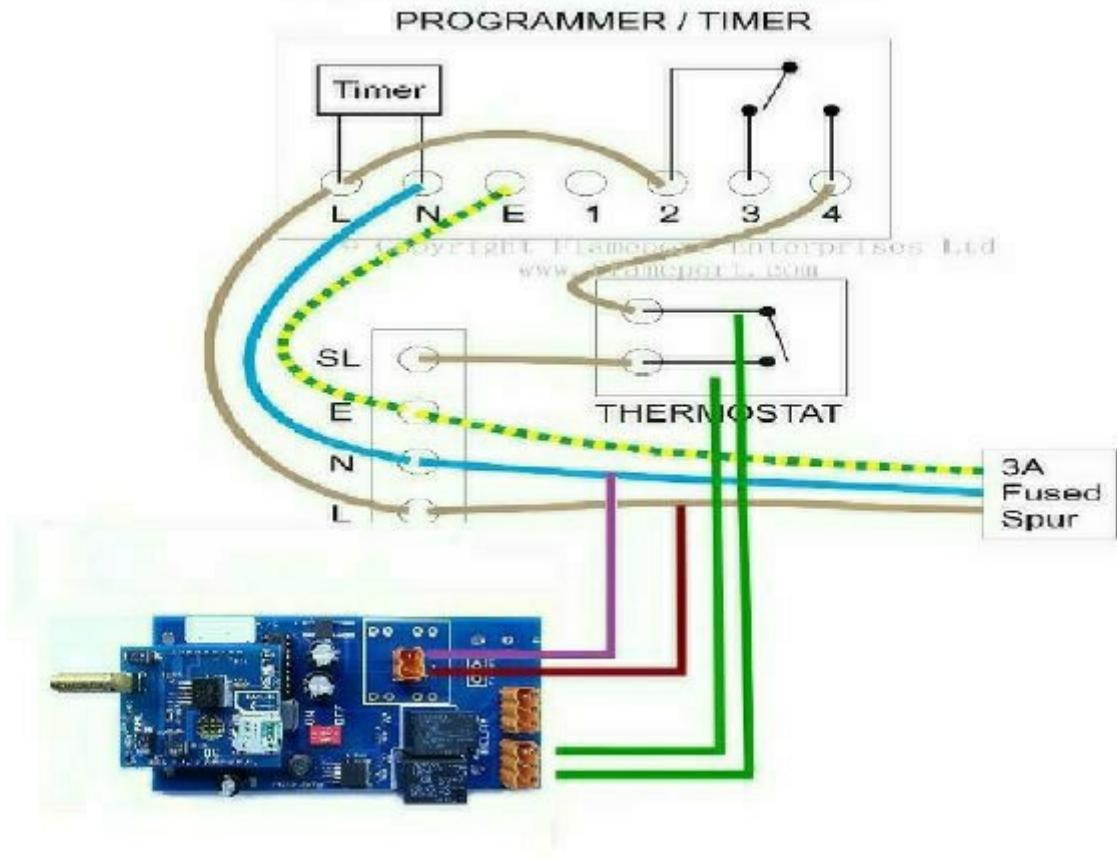
New SIM cards will need registering before they can be used. Full details of how this is done can normally be found in the SIM card pack. It will normally require that the SIM card is inserted into a mobile phone, a number dialled and instructions followed. While the SIM is in the mobile phone it would be a good time to disable any PIN codes, call diverts, ring back and disable features such as voicemail and text alerts. Details of how to do this can be found on the SIM card provider's web site or by calling their customer services. Please use one of the following SIM card providers -Vodafone, TMobile, O2 or Orange.

**Note** Currently not suitable with the network provider "three"

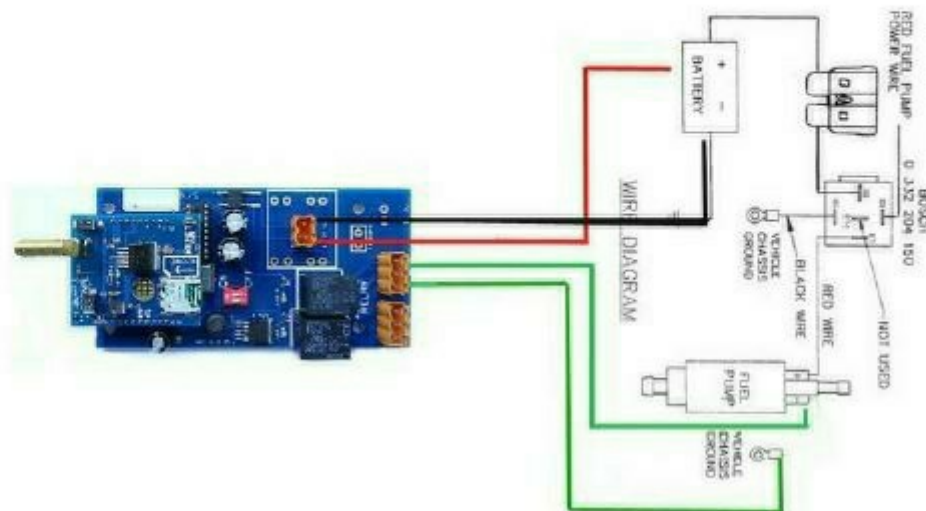
Relay State report is the status of BOTH relays

REL 1 OFF	=	REL 2 OFF
REL 1 ON	=	REL 2 OFF
REL 1 OFF	=	REL 2 ON
REL 1 ON	=	REL 2 ON

## Typical wiring connections for boiler



## Typical wiring connections for pump 12 volt dc model



<b>SEND TEXT</b>	<b>OPERATION</b>	<b>ACKNOWLEDGMENT</b>
#REL1=ON#	Turns Relay 1 ON	Relay 1 ON/OFF Relay 2 ON/OFF
#REL1=OFF#	Turns Relay 1 OFF	Relay 1 ON/OFF Relay 2 ON/OFF
#REL2=ON#	Turns Relay 2 ON	Relay 1 ON/OFF Relay 2 ON/OFF
#REL2=OFF#	Turns Relay 2 OFF	Relay 1 ON/OFF Relay 2 ON/OFF
#PULSE=REL1#	Pulse Relay 1	Relay 1 Pulse
#PULSE=REL2#	Pulse Relay 2	Relay 2 Pulse
#REL=STATE#	Gives Relay Status Report	Relay 1 ON/OFF Relay 2 ON/OFF
#MIN=000#	Turns Relay 1 ON for 1-999 minutes	Timer Set/ Timer End
#WHL=NUMBER#	Stores Number to White List	Number Stored
#DEL=NUMBER#	Deletes Number from White List	Number Deleted
#ID=ON#	Turns Caller ID ON	Caller ID ON
#ID=OFF#	Turns Caller ID OFF	Caller ID OFF
#MEMORY=ON#	Turns Relay Memory ON	Memory ON
#MEMORY=OFF#	Turns Relay Memory OFF	Memory OFF
#TEXT=ON#	Turns Relay State Report ON	Relay State ON (default)
#TEXT=OFF#	Turns Relay State Report OFF	Relay State
#RESET#	Return to Factory Settings	
#SIGNAL#	Gives Signal Strength Report	Score of 1-30
#STATUS#	Gives Status Report for Relays	Relay 1 ON/OFF Relay 2 ON/OFF

For more technical support please browse the FAQ's on our website [www.gsm-activate.co.uk](http://www.gsm-activate.co.uk)

Alternatively email our technical support team at [technical@gsm-activate.co.uk](mailto:technical@gsm-activate.co.uk) and we will do our best to reply within 24 hours Monday - Friday.