



## **GSM 2G/3G 240V ROLLER SHUTTER OPENER**

No More Key Fobs! Open roller shutters with your mobile phone

[www.gsm-activate.co.uk](http://www.gsm-activate.co.uk)



MODEL NUMBER SWV2G-RS2

## Product Information

The GSM Roller Shutter/Opener incorporates a professional industrial grade GSM engine that receives calls at its SIM number as any ordinary mobile phone. The system operates in the GSM module quad-band frequency 850/900/1800/1900Mhz.

Just to give an example, if your SIM has a phone number 07123456789, that is the number you have to call to open the shutter door. The system has a memory where you will store the numbers of people enabled to open your shutter (up to 50).

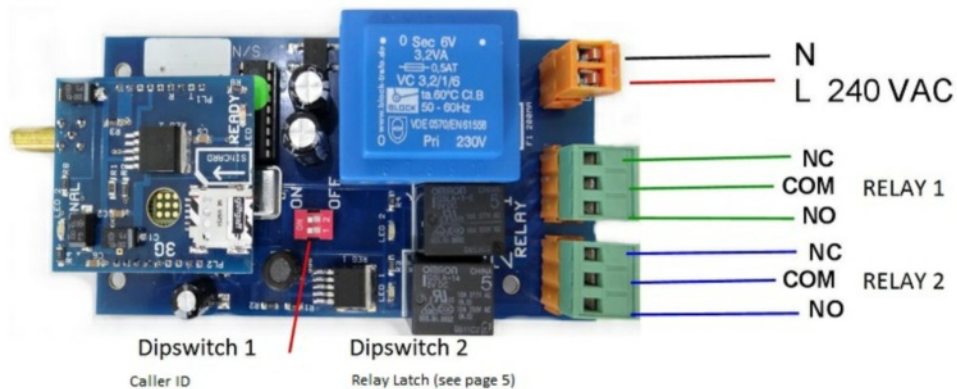
When the Roller Shutter/Opener receives a call it will check the calling number and if the number is in the prepared list it will answer the call. You then use your telephone keypad to open and close the roller shutter.

The advantages of this over other systems are that you do not have to leave your car to open the shutter therefore, avoiding weather or safety issues. Furthermore, you do not need to carry a separate remote device or indeed replace it if it were to be lost.

## Specification

- Simply dial the simcard number to open the gates/shutter door.
- Phone list for added security up to 50 stored numbers.
- Text for signal strength.
- Call and use keypad to move shutter up or down.
- Antenna supplied.
- Sim Active Function
- Dimensions - L150 x W90 x H45mm
- Dimensions - L125 x W67mm
- INPUT 240VAC
- Output Relays are 10 AMP N/O or N/C Volt Free
- Quadband Frequency - 850/900/1800/1900Mhz
- No need to keep replacing remote keyfobs when the keyfobs are lost!

# INSTRUCTIONS



1. Slide back the sim door and lift it up.
2. Slide the simcard into the door making sure that the clipped corner of the simcard lines up with the clipped corner of the simcard holder.
3. Close the simcard door.
4. Slide the simcard door to lock the simcard in place.

When you first switch the unit on, the **blue** LED will flash

The **blue** LED will continue to flash until the unit is ready then the **green** LED will come on.

## **IMPORTANT- PLEASE READ**

**PLEASE MAKE SURE YOU DISCONNECT THE POWER WHEN YOU FIT THE SIMCARD AND YOU PLACE THE SIMCARD WITH THE CLIPPED CORNER FACING OUT WARDS.**

**PLEASE SEE PICTURE ABOVE.**

- 1: First you must register and put credit on your simcard. Please follow the instructions given with your simcard
- 2: Insert the simcard into a mobile phone and disable the **voicemail** using the codes below

Vodaphone:	call 1210	Tesco	call 2915
T-Mobile:	call 222	O2	call 1760
Orange:	call 4502	Giff Gaff	call 1626

EE - send the text message command VM OFF to 150

- 3: Refer to steps 1 - 4 in Fig 1 above

### **Important Notice**

You must remove the PIN request from the SIM before inserting it into the unit otherwise the device will not work. In order to do so, insert the SIM in a phone and disable the PIN request.

## How to program the roller shutter opener.

### Text message entry

You must first enter the telephone numbers that are authorized to use the Roller shutter opener. Insert your simcard into the Roller Shutter opener and turn on the unit and wait until you receive a steady **green** light this will indicate that you have a mobile signal.

You will now need to send a text with the contact numbers.

Example: (Hash) (WHL) (Hash) (phone number) (hash)

To avoid confusion we have colour coded the hash (#) and the star (\*) symbols.

#WHL#07123456789# Then send this as a text to the simcard

### NOTE

**PLEASE NOTE YOU CAN ONLY SEND ONE NUMBER AT A TIME. (Max 50 numbers)  
PLEASE SEND THE TEXT MESSAGE AND WAIT FOR THE ROLLER SHUTTER  
OPENER TO SEND YOU BACK THE TEXT ACKNOWLEDGEMENT "STORED" BEFORE  
YOU TRY TO ADD ANOTHER NUMBER VIA TEXT ENTRY.**

If you do not need authorized numbers you can turn **Dip switch 1** to the OFF position as in **fig.1**. This will allow any number to operate the roller shutter if they call the simcard number used inside the unit. Automated calls will not be able to operate the unit as they would be unable to use the keypad commands.

If you wish to cancel a number follow this example.

(Hash) (delete) (Hash) (NUMBER) (Hash)

#Delete#07123456789# Deletes the stored number

Please make sure you have credit on your simcard to receive the text acknowledgment. It may take a time to receive a text acknowledgement. This depends upon how busy your telephone network is.

## How to use the Roller Shutter Opener

Using your mobile phone or landline, dial the simcard number within the unit. You will hear two ring tones. The unit will then answer the call. Once the call is open you can use the keypad on your phone to operate the device.

Press key 1 - Relay 1 will pulse  
Press key 2 - Relay 2 will pulse

Pushing key number 1 or 2 again will stop the command and the shutter will hold in a stationary position.

We recommend connecting relay 1 to OPEN/UP and relay 2 to CLOSE/DOWN on your roller shutter control board.

When you press 1 you will hear a fast dialling tone.  
When you press 2 you will hear a slower dialling tone.

Please view the diagram on page 6 for wiring information.

## Latching Relay - Deadmans Button

This function is used for roller shutter control boards whereby you need to manually hold the button to open or close the roller shutter. Once you remove your finger from the button the roller shutter will stop the operation your are performing.

To use the roller shutter opener in this mode (latching relay) you need to put dipswitch 2 to the ON position. The relay will now latch on for 15 seconds instead of pulsing.

Pressing key 1 will cause relay 1 to pulse to open for 15 seconds  
Pressing key 2 will cause relay 2 to pulse to close for 15 seconds

Pressing key 3 will cancel the command and stop the shutter.

## Signal Strength

To help make sure that you place the unit in a suitable position you can text the unit to see how much signal strength the dialler is receiving by texting the command

#SIGNAL

The unit will perform a test on the signal strength.

You will receive a text telling you the signal strength score between 0-30. We strongly recommend that you place the unit where you will receive a score of at least 10. You will find that a signal strength score of less than 10 will make the unit unreliable.

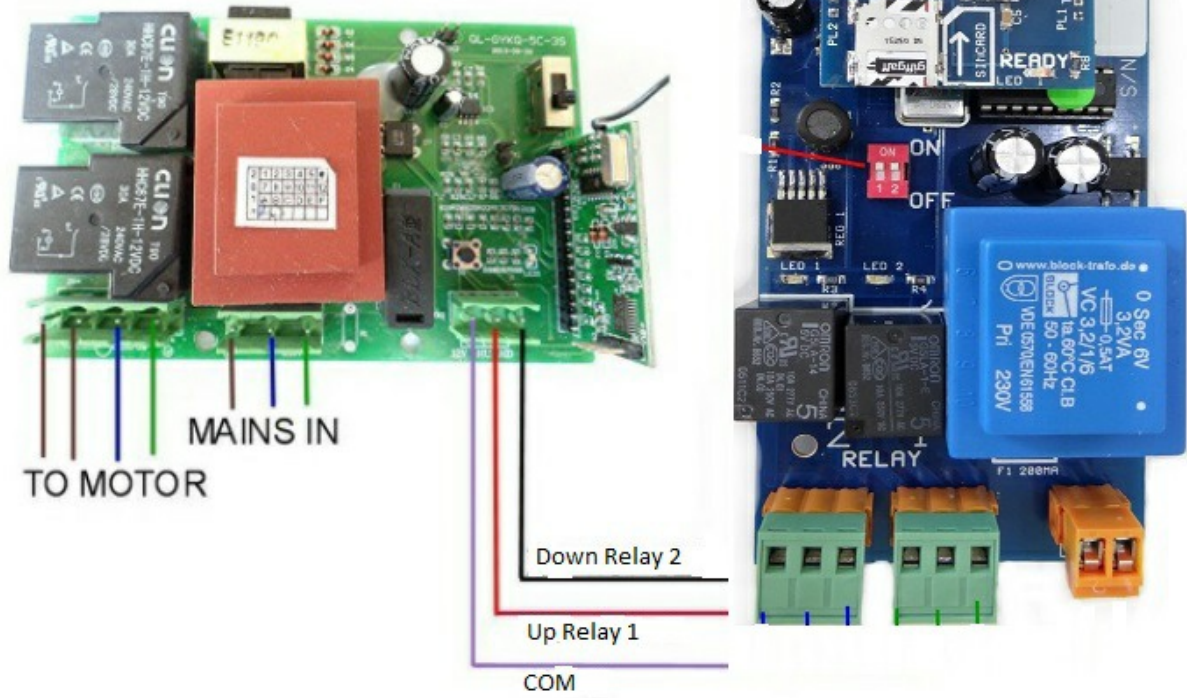
## Factory Reset

To perform a quick factory reset which will delete ALL of your stored numbers please send the text command

#RESET

The red LED will flash 6 times indicating that the reset has been successful.

Typical wiring for a roller shutter door



Using your mobile phone or landline phone, dial the simcard number within the unit. You will hear 2 ring tones then the unit will answer the call. Once the call is open you can use your phone keypad to operate the roller shutter.

Press key 1 will cause the relay to pulse  
press key 2 will cause the relay to pulse

Send Text	Operation	Acknowledgment
#WHL#NUMBER#	Stores number (up to 50)	WHL number stored
#DEL#NUMBER#	Deletes stored number	WHL number deleted
#SIGNAL	Gives a Signal Strength Test	Score of 1-30
#RESET	Resets Factory Settings	

For more technical support please browse the FAQ's on our website [www.gsm-activate.co.uk](http://www.gsm-activate.co.uk)  
Alternatively email our technical support team at [technical@gsm-activate.co.uk](mailto:technical@gsm-activate.co.uk) and we will do our best to reply within 24 hours Monday - Friday.